

# POTTERY BARN INSPIRED OUTDOOR ISLAND AND HUTCH



## Materials:

### Island:

2- 4x4x8

3- 2x2x8

3- 1x6x8

3- 1x4x8

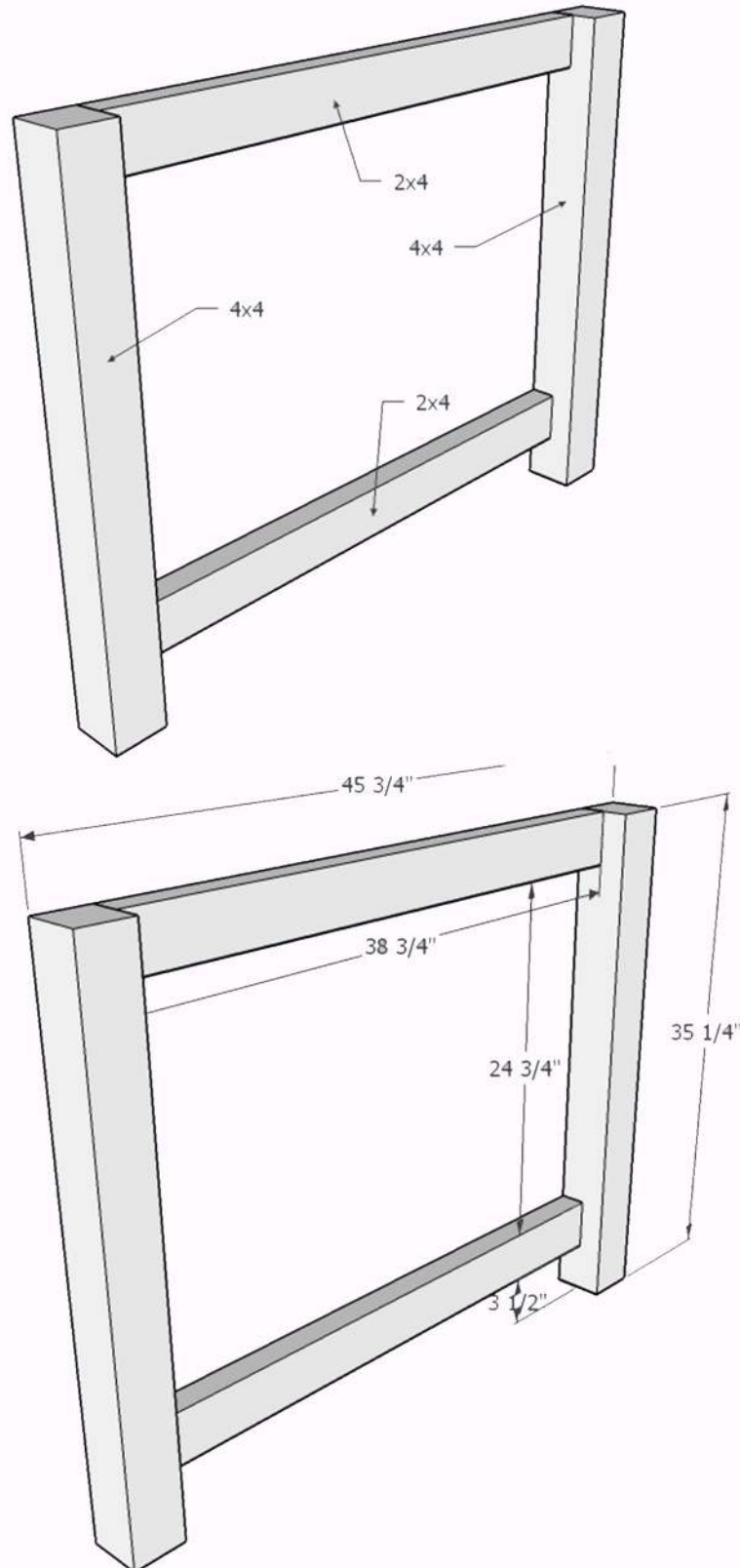
### Hutch:

2- 1x12x8

3- 1x4x8

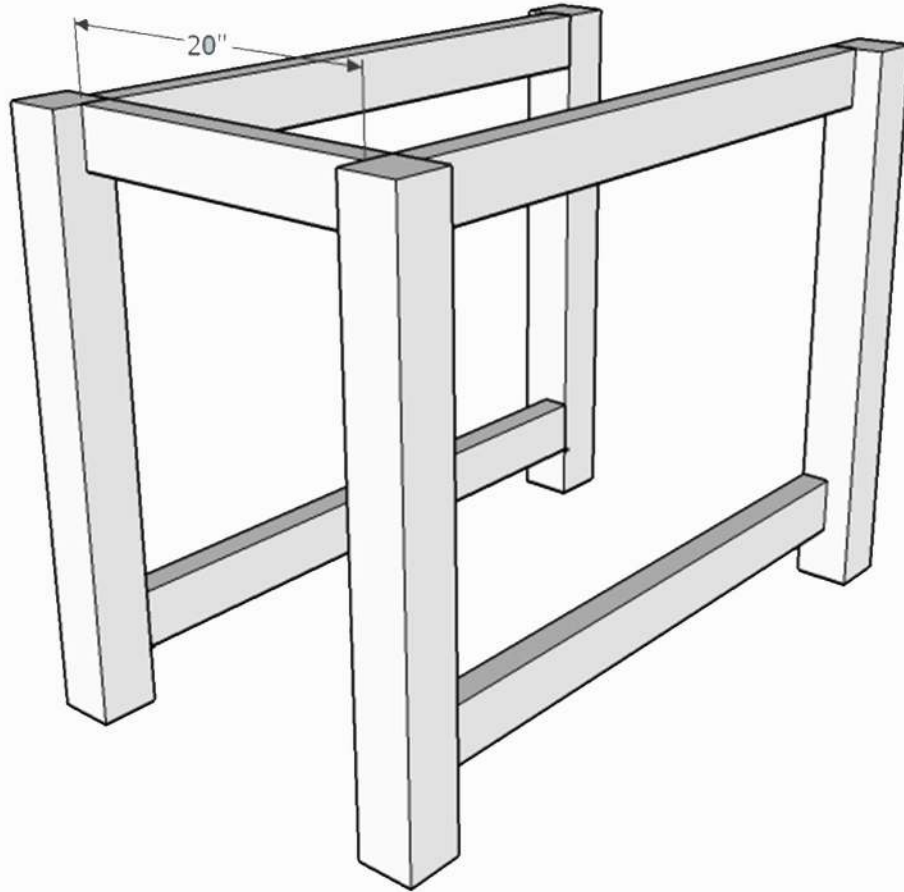
# Step 1

Make two frames just as the one pictured below, one will be the front and one will be the back. You will use 1 1/2" pocket holes drilled into the 2x4s to attach using 2 1/2" pocket hole screws.



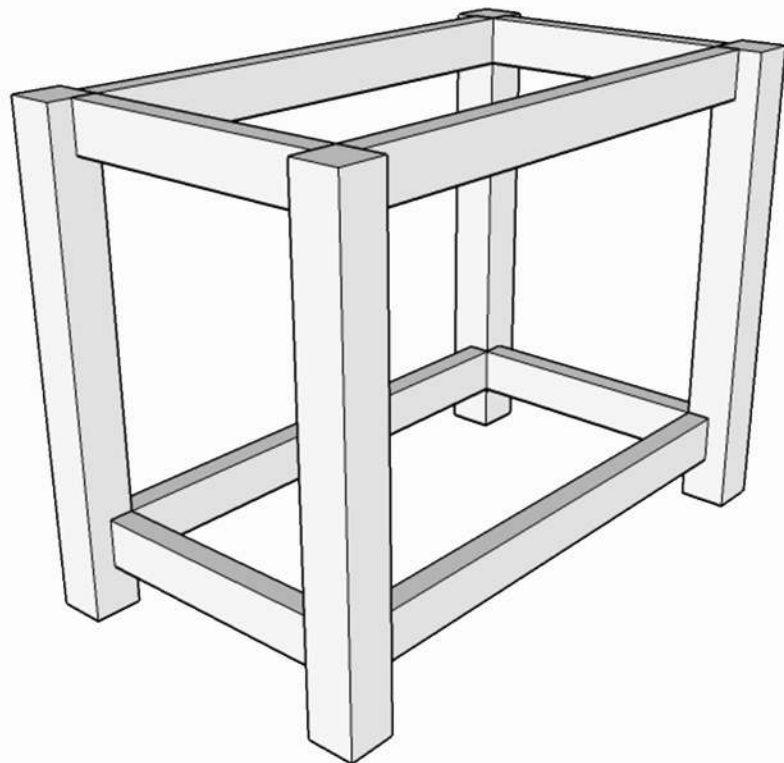
## Step 2

Attach the two frames together with the 20" 2x4s. Drill 1 1/2" pocket holes on the ends of all 20" boards and attach them with 2 1/2" pocket hole screws.



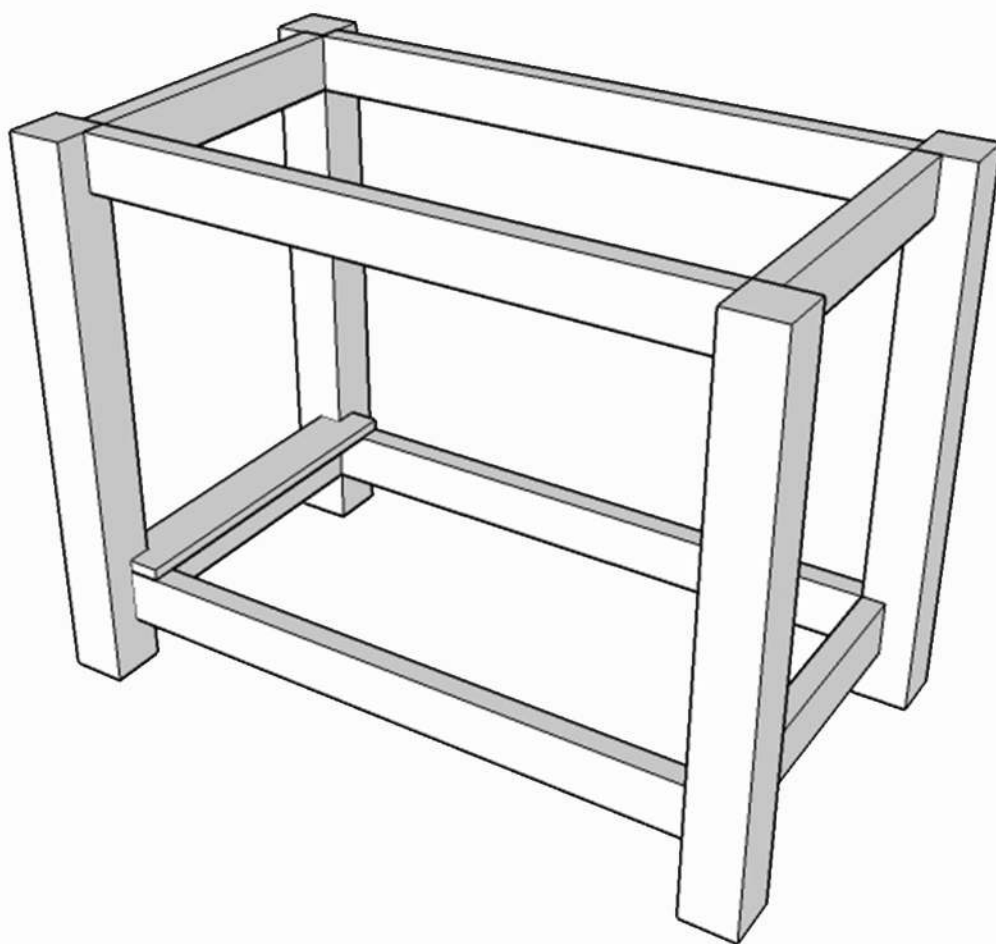
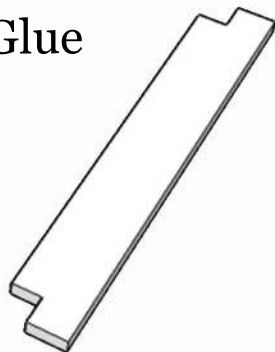
## Step 3

Continue attaching all the 20" 2x4s until you have the table frame completed.



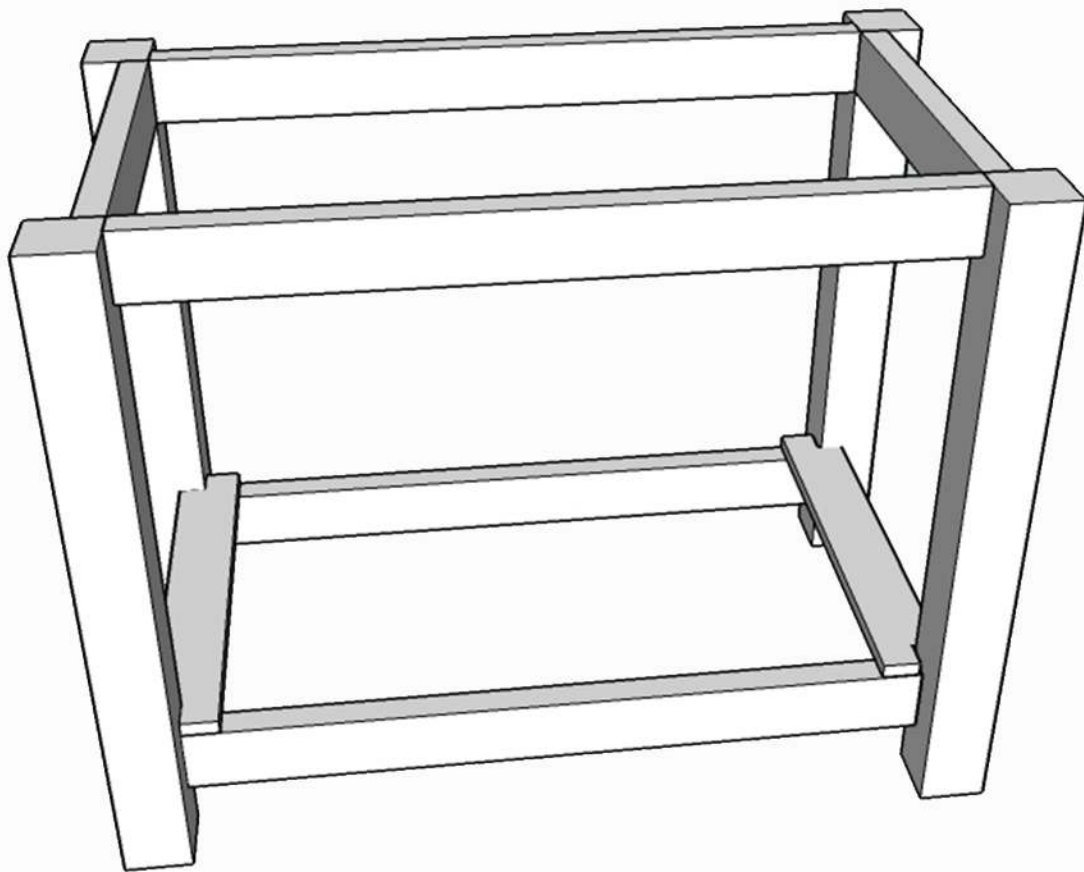
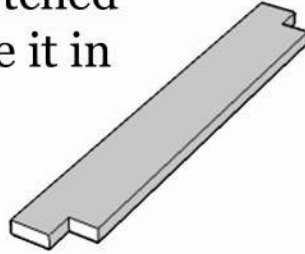
# Step 4

Cut a 1x4 at 23 1/2" and notch the edges to fit around the 4x4. Glue and staple in place.

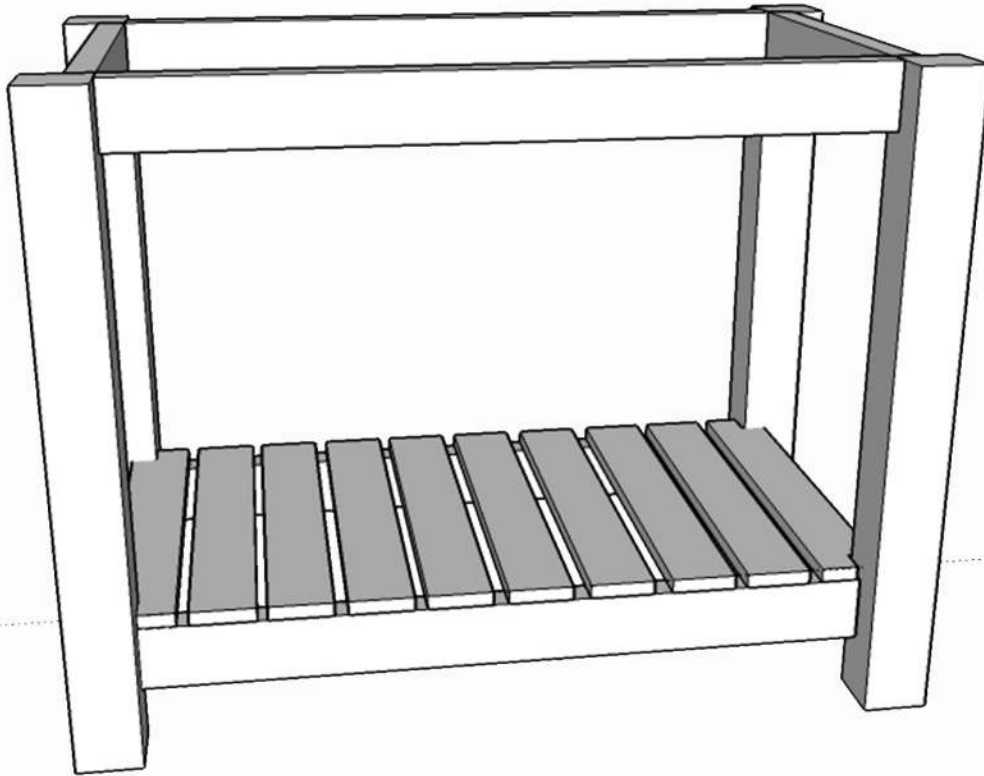


# Step 5

Cut another 1x4 at 23 1/2" and notch it on the opposite side you notched the other one. Glue and staple it in place.

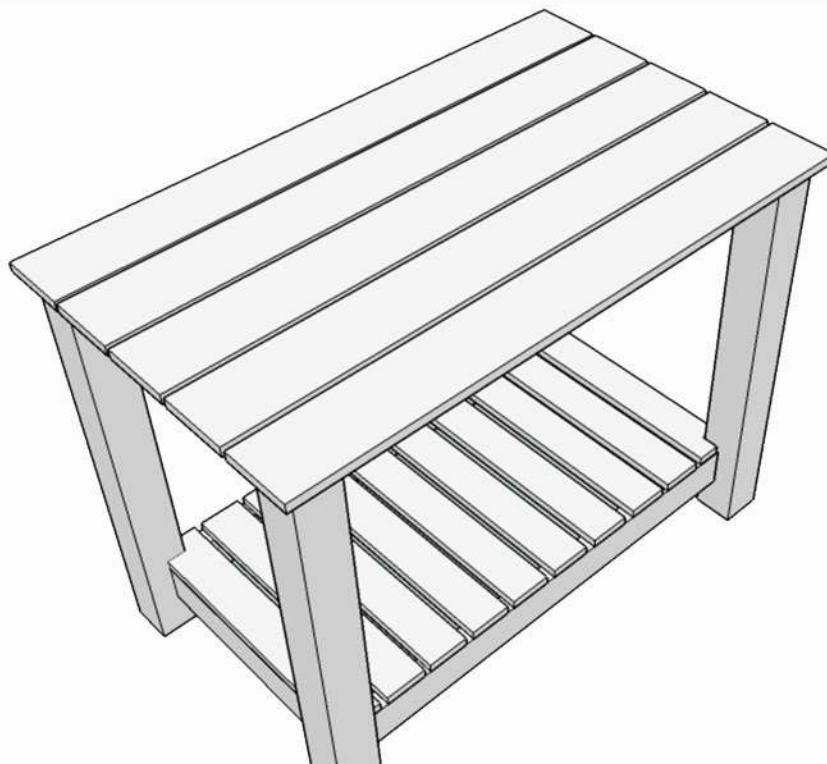


Now you can cut all the other 23 1/2" boards, glue and staple them. Leaving a gap of roughly 3/8" in between each board.



## Step 5

Now you can cut and place your 1x6 boards for the top of the table, using 1 1/2" pocket holes drilled all along the insides of the 2x4s and using 2" pocket hole screws. (see pictures in post if unsure)

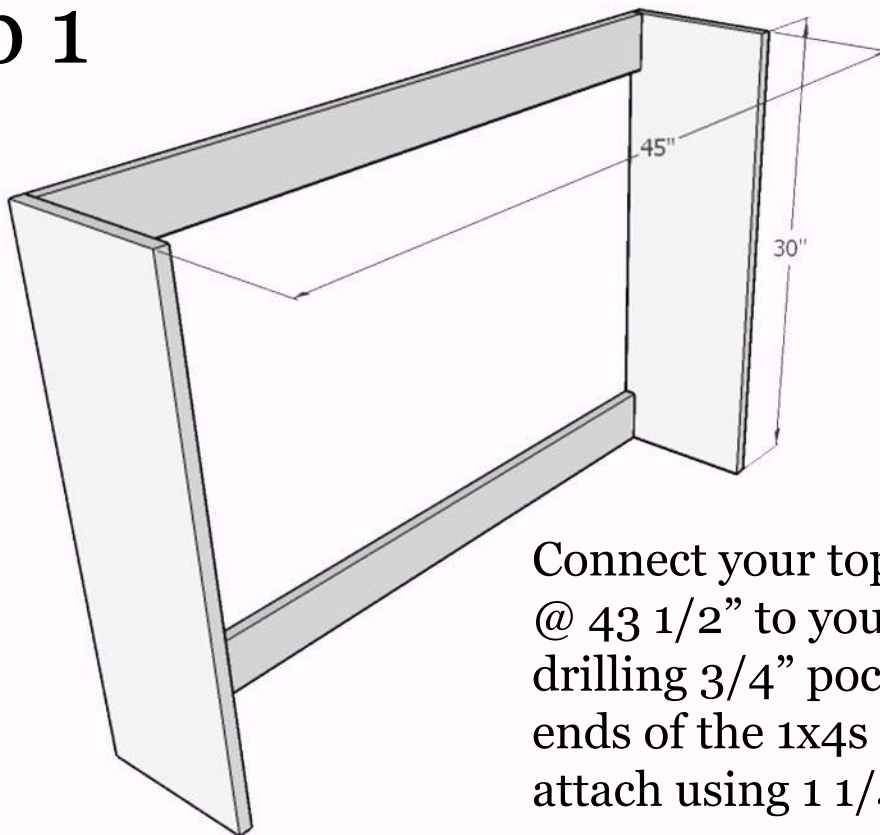


Here is the island all finished up!

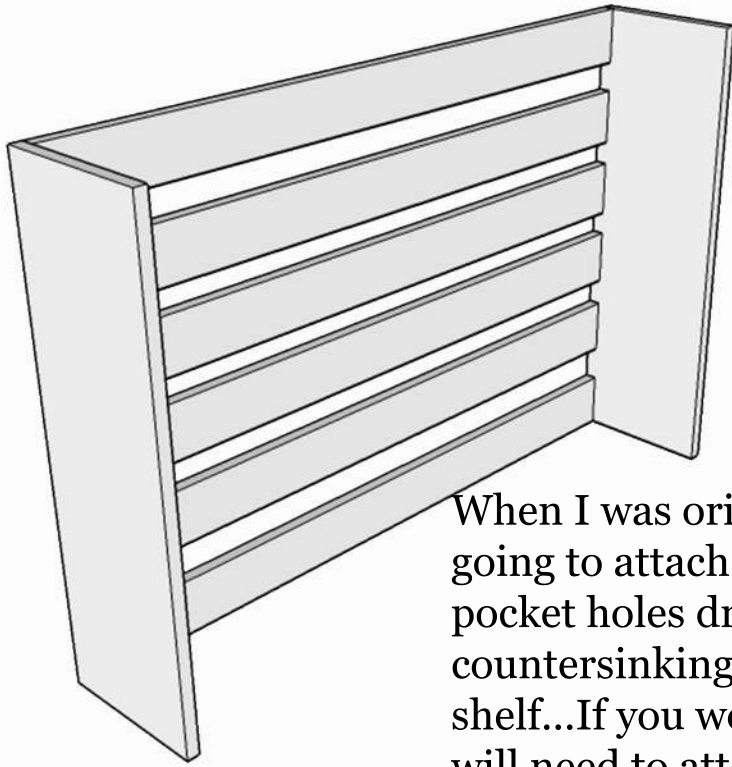


## Hutch

### Step 1



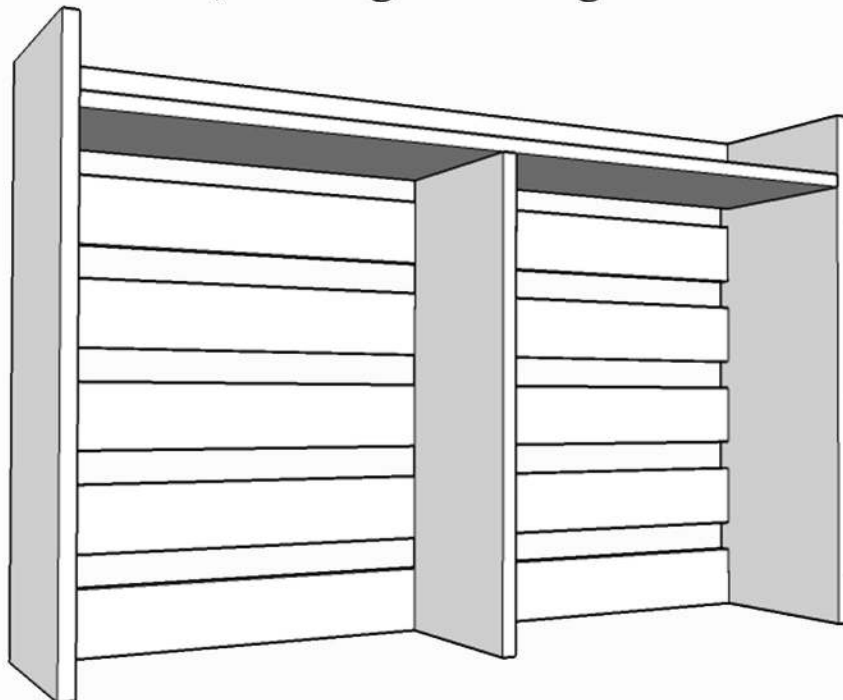
Connect your top and bottom 1x4s @ 43 1/2" to your 1x12s @ 30" by drilling 3/4" pocket holes in the ends of the 1x4s on the backside, attach using 1 1/4" ph screws.



When I was originally sketching the plans, I was going to attach my 1x12 shelf...shown below with pocket holes drilled into the 1x4, but I ended up countersinking the screws underneath the shelf...If you would prefer to do it this way, you will need to attach the shelf before attaching all the 1x4s so that you can get your drill in the small space! Otherwise you may just pocket hole it...your choice...refer to the post for more help!

## Step 2

Attach your 1x12 cut at 43 1/2" across the top, right below your first 1x4. Using countersunk 1 1/4" screws, I attached the 1x12 to the 1x4 at the back for extra support, before attaching all the middle 1x4s (not shown here). I also used the countersink drill bit to attach the top 1x12 to the side 1x12s, drilling in through the sides.

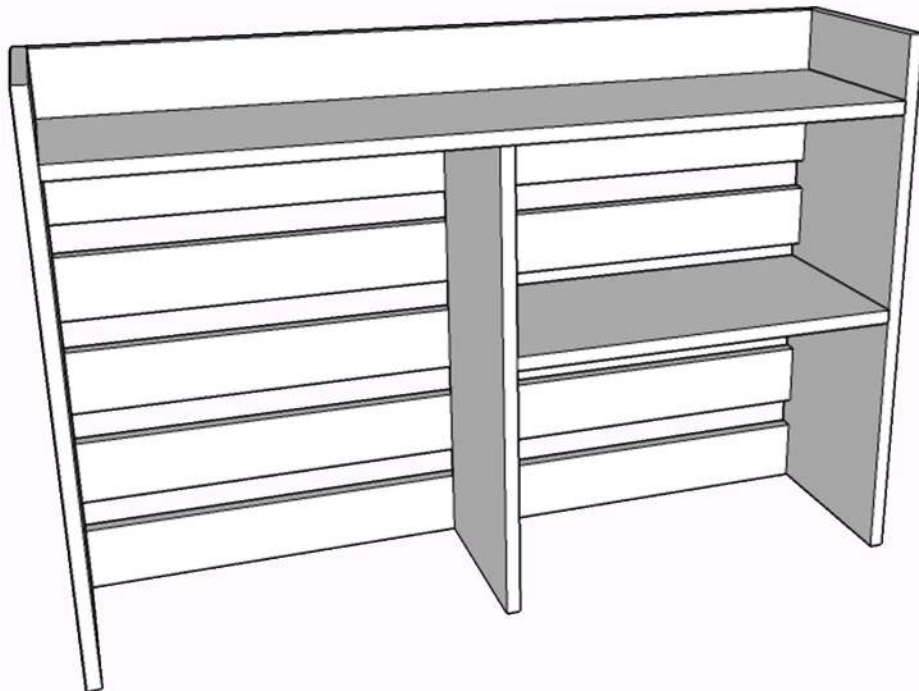




Step 2 (continued) Take the 1x12 cut at 25 3/4" and rip it down to 10 1/2" (you can use a circular saw or jigsaw if you do not have a table saw). Then attach it with countersunk screws along the back and from the top of the top shelf.

## Step 3

Your 21 3/4" board will also need to be ripped down to 10 1/2". Measure 13 inches down from the bottom of the top shelf...Attach the 1x12 cut at 21 3/4" as your second small shelf. Again using countersunk screws from the sides and back along the 1x4. This diagram was drawn up to help you avoid having to rip your 1x12 down...the shelf is placed only 11 inches down so that you can avoid ripping your 1x12. \*note if you do not want to rip your board down...you will need to drill 3/4" pocket holes along your 1x4 that the shelf sits on or below! I ripped my the board down and placed it at 13". See post pictures if needed!





\*Note: This diagram is only correct if you don't want to rip your 1x12 down to 10 1/2" wide! The placement of your 1x12 will be 13" instead of 11" if you rip it down!

Using pocket holes drilled all along the bottom 1x4 of the hutch, attach the hutch to the island, then drill screws up through the 1x6 boards into the 1x12s on each side.



Woohoo! Now you have a beautiful outdoor island and hutch! Time to plan a backyard gathering!!